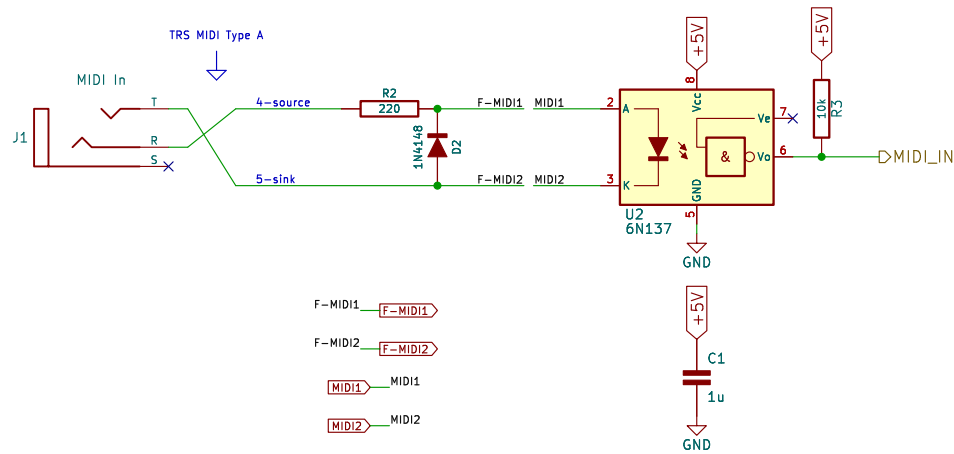


4 - current source
5 - current sink
2 - shield



www.davidhailant.com

David Hailant

Sheet: /MIDI input port/
File: midi_in_port.kicad_sch

Title: MIDI 1 to 8

Size: A4 Date: 2024-10-14

KiCad E.D.A. 8.0.8

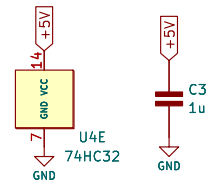
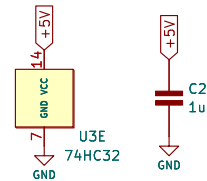
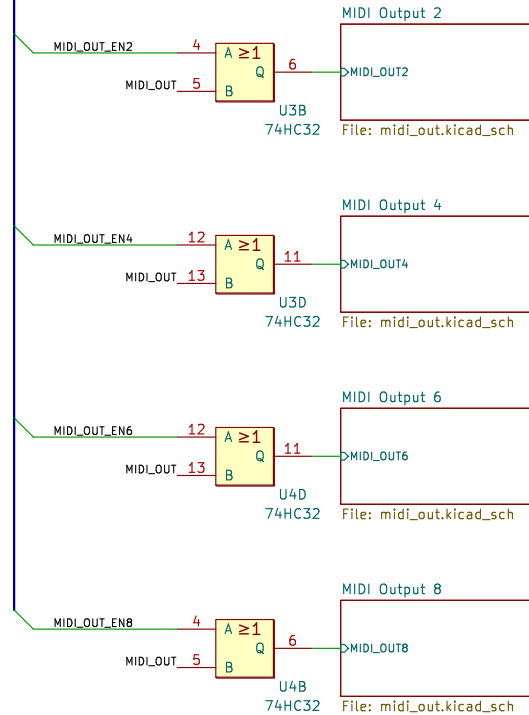
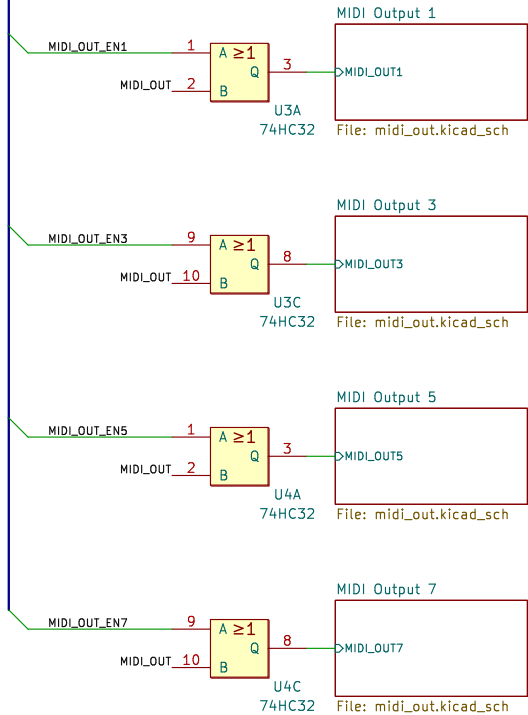
Rev: 1.0

Id: 2/13

MIDI_OUT_EN[1..8]D

MIDI_OUTD MIDI_OUT

Attention! MIDI is active LOW.
EN must be LOW to activate output, HIGH to disable output (always HIGH)
Out = M + EN



www.davidhailant.com

David Hailant

Sheet: /MIDI Outputs/

File: midi_outputs.kicad_sch

Title: MIDI 1 to 8

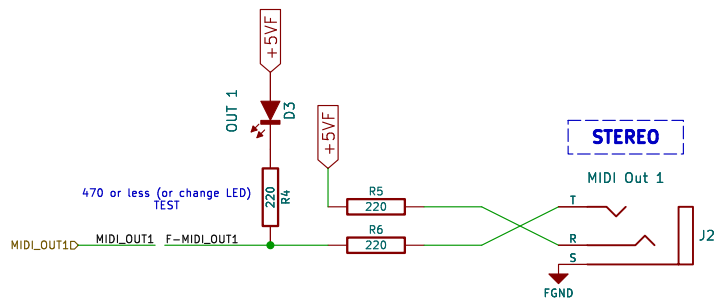
Size: A4

Date: 2024-10-14

KiCad E.D.A. 8.0.8

Rev: 1.0

Id: 3/13



www.davidhailant.com

David Hailant

Sheet: /MIDI Outputs/MIDI Output 1/

File: midi_out.kicad_sch

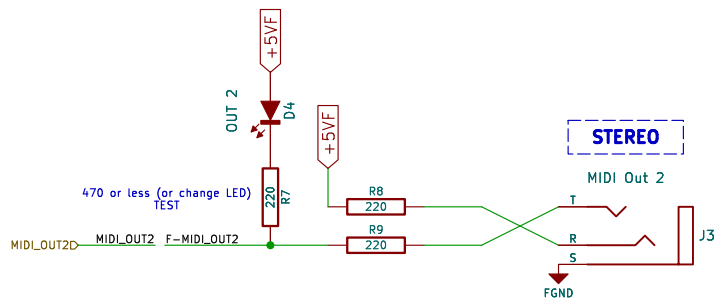
Title: MIDI 1 to 8

Size: A4 Date: 2024-10-14

Rev: 1.0

KiCad E.D.A. 8.0.8

Id: 4/13



www.davidhailant.com

David Hailant

Sheet: /MIDI Outputs/MIDI Output 2/

File: midi_out.kicad_sch

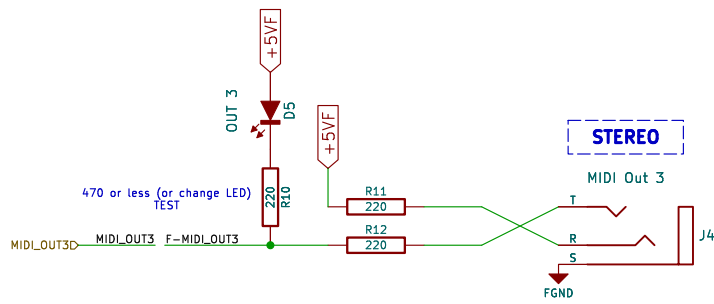
Title: MIDI 1 to 8

Size: A4 Date: 2024-10-14

Rev: 1.0

KiCad E.D.A. 8.0.8

Id: 5/13



www.davidhailant.com

David Hailant

Sheet: /MIDI Outputs/MIDI Output 3/

File: midi_out.kicad_sch

Title: MIDI 1 to 8

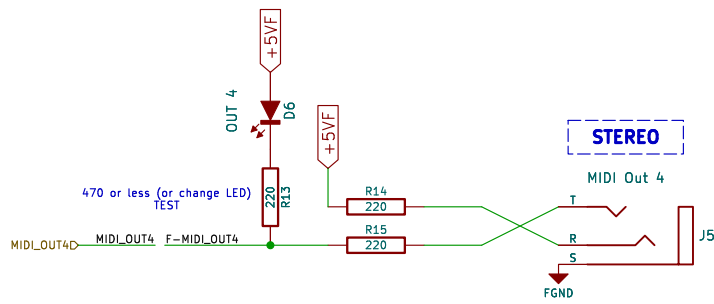
Size: A4

Date: 2024-10-14

Rev: 1.0

KiCad E.D.A. 8.0.8

Id: 6/13



www.davidhailant.com

David Hailant

Sheet: /MIDI Outputs/MIDI Output 4/

File: midi_out.kicad_sch

Title: MIDI 1 to 8

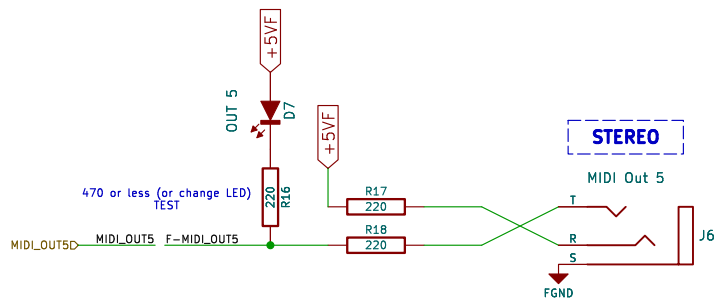
Size: A4

Date: 2024-10-14

Rev: 1.0

KiCad E.D.A. 8.0.8

Id: 7/13



www.davidhailant.com

David Hailant

Sheet: /MIDI Outputs/MIDI Output 5/

File: midi_out.kicad_sch

Title: MIDI 1 to 8

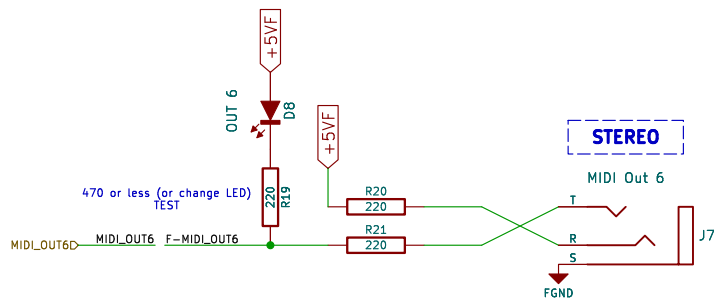
Size: A4

Date: 2024-10-14

Rev: 1.0

KiCad E.D.A. 8.0.8

Id: 8/13



www.davidhailant.com

David Hailant

Sheet: /MIDI Outputs/MIDI Output 6/

File: midi_out.kicad_sch

Title: MIDI 1 to 8

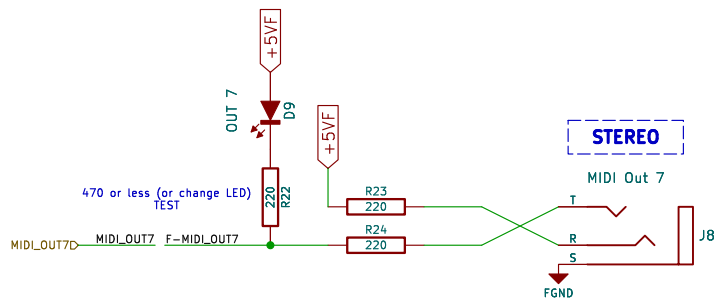
Size: A4

Date: 2024-10-14

Rev: 1.0

KiCad E.D.A. 8.0.8

Id: 9/13



www.davidhailant.com

David Hailant

Sheet: /MIDI Outputs/MIDI Output 7/

File: midi_out.kicad_sch

Title: MIDI 1 to 8

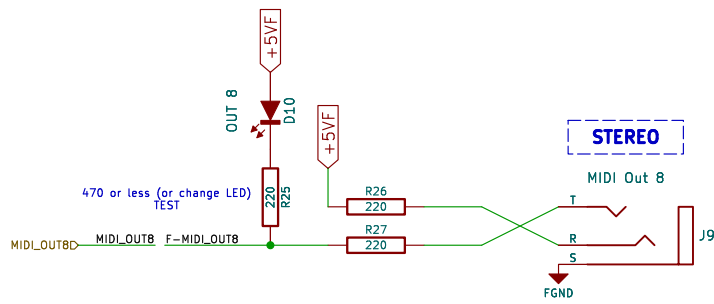
Size: A4

Date: 2024-10-14

Rev: 1.0

KiCad E.D.A. 8.0.8

Id: 10/13



www.davidhailant.com

David Hailant

Sheet: /MIDI Outputs/MIDI Output 8/

File: midi_out.kicad_sch

Title: MIDI 1 to 8

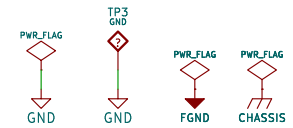
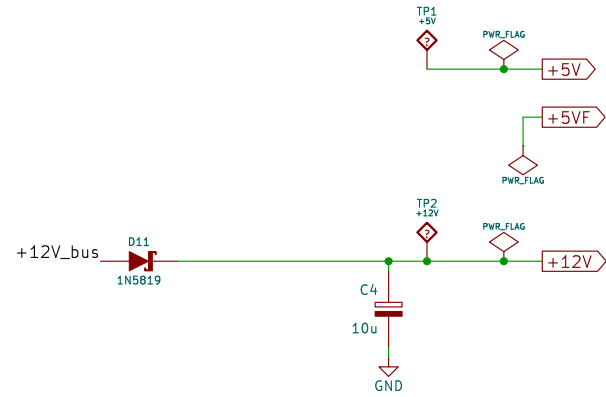
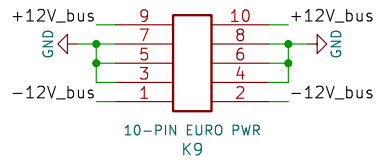
Size: A4

Date: 2024-10-14

Rev: 1.0

KiCad E.D.A. 8.0.8

Id: 11/13



www.davidhailant.com

David Hailant

Sheet: /Power Supply/

File: power.kicad_sch

Title: MIDI 1 to 8

Size: A4

Date: 2024-10-14

Rev: 1.0

KiCad E.D.A. 8.0.8

Id: 12/13

1 2 3 4 5 6

A

A

B

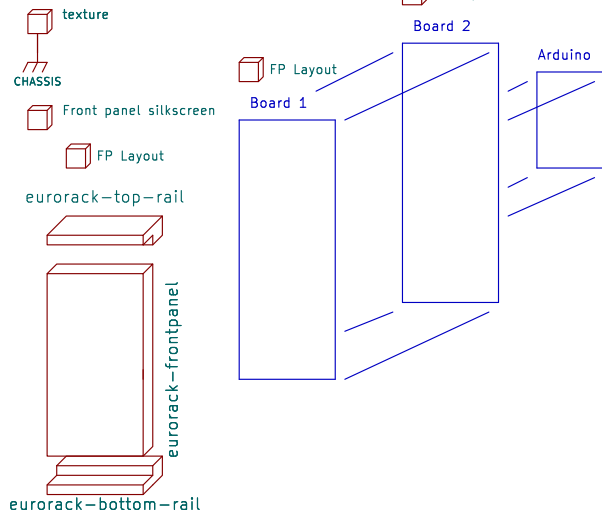
B

C

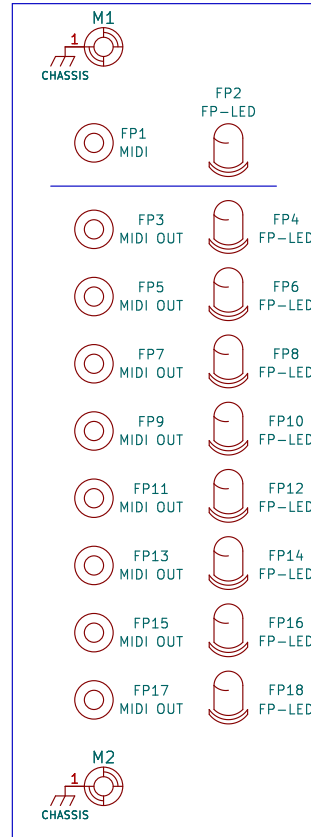
C

D

D



Front Panel



www.davidhailant.com

David Hailant

Sheet: /Front Panel/

File: frontpanel.kicad_sch

Title: MIDI 1 to 8

Size: A4

Date: 2024-10-14

Rev: 1.0

KiCad E.D.A. 8.0.8

Id: 13/13

1 2 3 4 5 6